

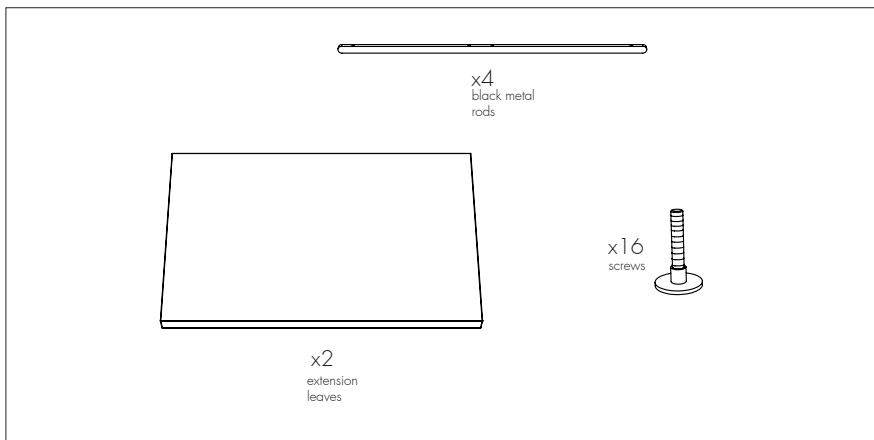
ASSEMBLY GUIDE  
CONEKT TABLE  
EXTENSION LEAVES  
~

*by Lassen.*  
Copenhagen

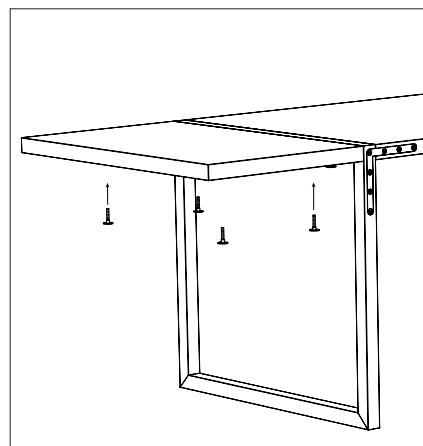
# CONEKT



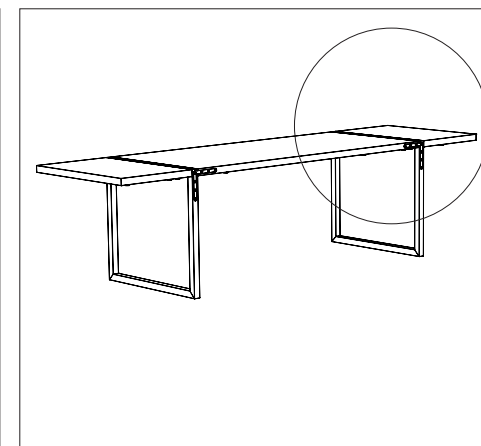
## ASSEMBLY GUIDE FOR CONEKT DINING TABLE EXTENSION LEAVES



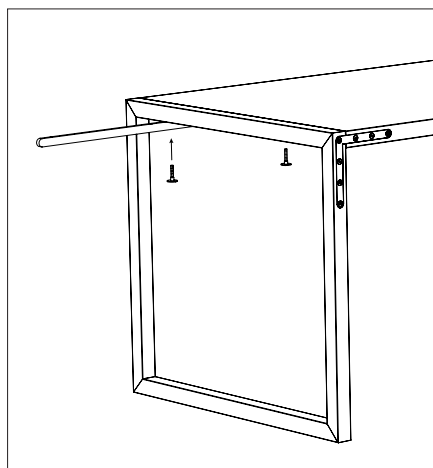
1



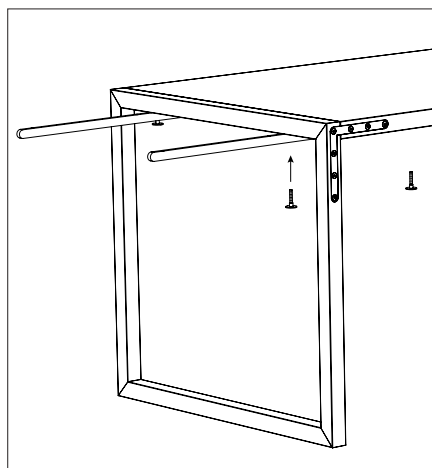
4



5



2



3

- 
- 1 Package contents.
  - 2 Mount the black metal rod to the table by screwing the two screws into the pre-drilled holes.
  - 3 Mount the second black metal rod in the same way.
  - 4 Place the extension leaf on the rods and attach by screwing the four screws in the pre-drilled holes.
  - 5 Repeat the entire process to attach the second extension leaf.
  - 6 You are done. Enjoy!